

BRIDGE PIPE ASSEMBLY

REAR CALIPER
BODY AND PISTON

PAD RETAINING
PIN

PISTON

PAD ASSEMBLY

NUT

BOLT

PISTON AND CYLINDER
ASSEMBLY

PAD RETAINING CLIP

BLEEDSCREW

BALL

WASHER

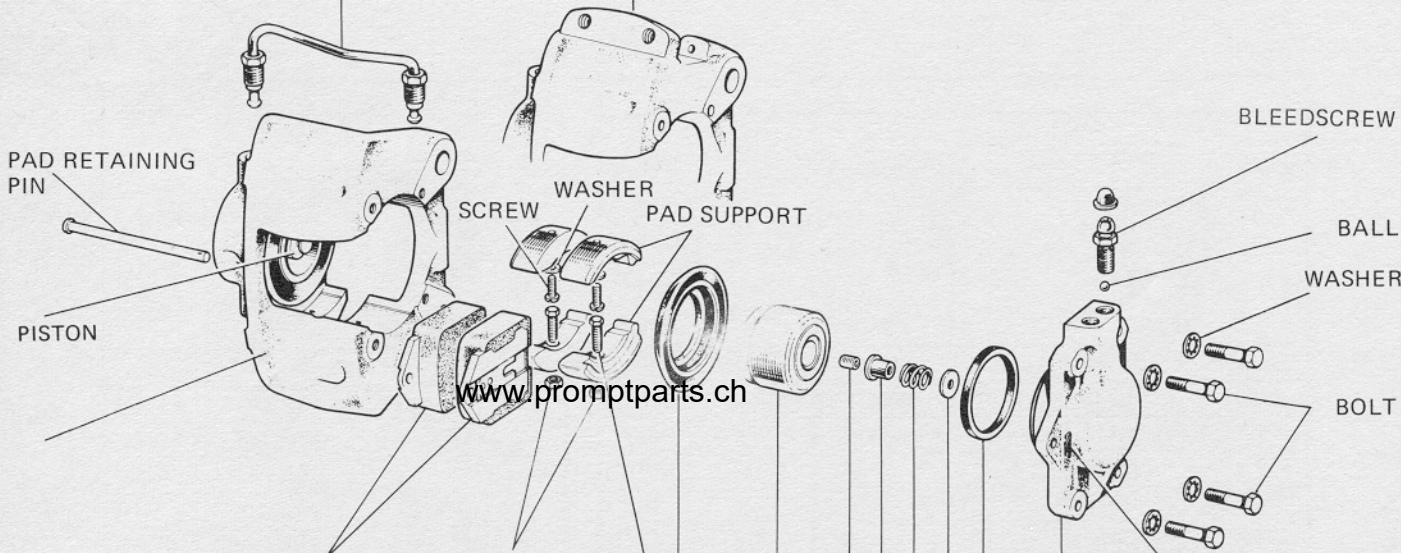
BOLT

www.promptparts.ch

SCREW

WASHER

PAD SUPPORT



A 0111