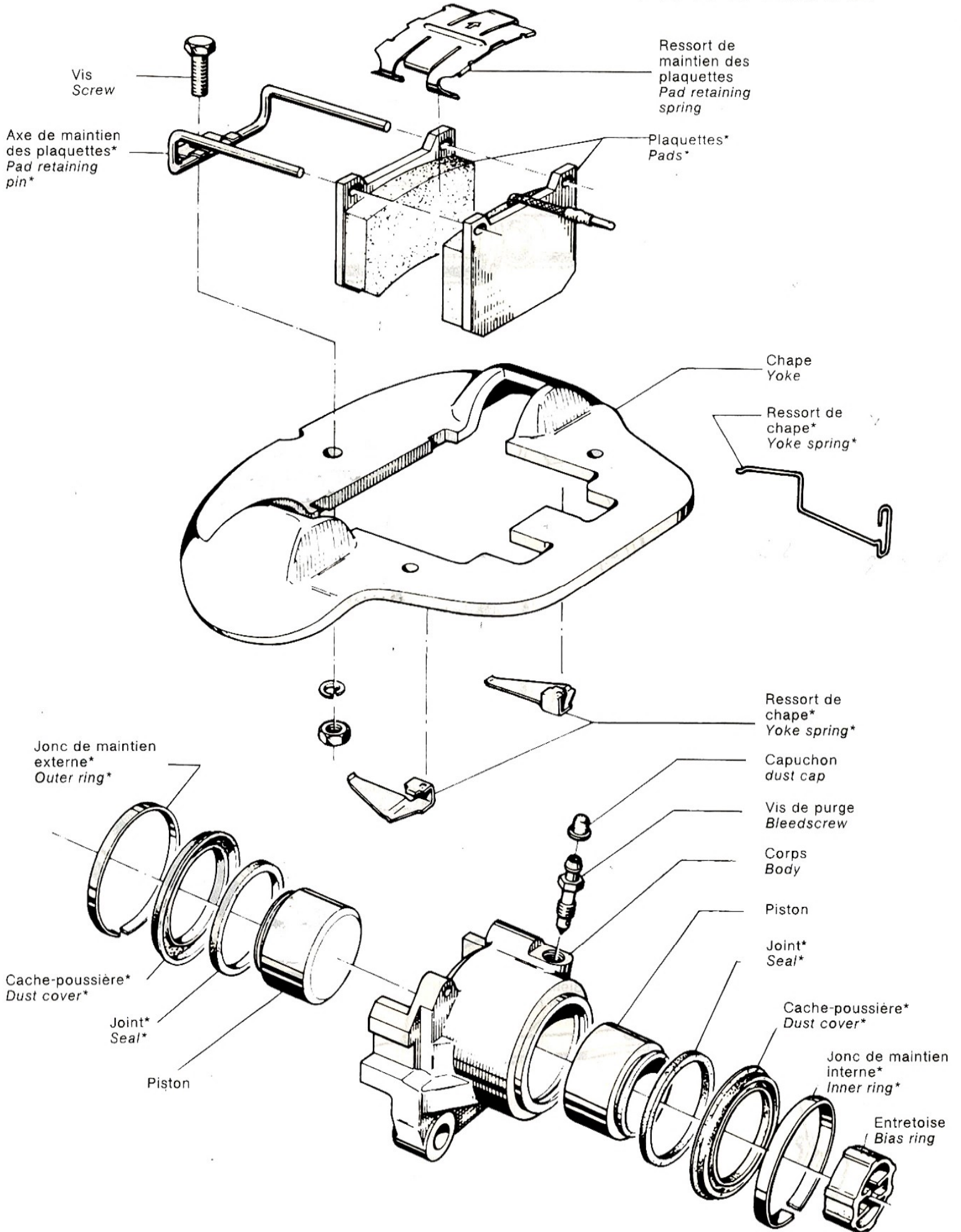


FREIN "ANNETTE" TYPE A

TYPE A BRAKE



Vis
Screw

Axe de maintien
des plaquettes*
Pad retaining
pin*

Ressort de
maintien des
plaquettes
Pad retaining
spring

Plaquettes*
Pads*

Chape
Yoke

Ressort de
chape*
Yoke spring*

Jonc de maintien
externe*
Outer ring*

Ressort de
chape*
Yoke spring*

Capuchon
dust cap

Vis de purge
Bleedscrew

Corps
Body

Piston

Joint*
Seal*

Cache-poussière*
Dust cover*

Joint*
Seal*

Piston

Cache-poussière*
Dust cover*

Jonc de maintien
interne*
Inner ring*

Entretoise
Bias ring